

Garage



BUILDING DEPARTMENT
(651) 249-2300
www.MaplewoodMN.gov



Building Permit is required

This handout is intended only as a guide and is based in part on the 2015 Minnesota State Building Code, Maplewood City ordinances, and good building practice. While every attempt has been made to ensure the correctness of this handout, no guarantees are made to its accuracy or completeness. Responsibility for compliance with applicable codes and ordinances falls on the owner or contractor. For specific questions regarding code requirements, refer to the applicable codes or contact your local Building Department.

PLANS

Building plans (three copies) must be submitted with an application to construct a garage or garage addition. Plans must be neatly drawn. They may be on 8 ½ X 11 paper. Plans must include a site plan, floor plan, cross section and elevation. Plans should show the proposed size of the garage; location and size of window and door openings; size of headers over all window and door openings; size, spacing, and direction of rafters or trusses; rafter/truss connection method; size and spacing of studs; the grade and species of lumber to be used; the type of roof and wall sheathing used; information on siding and roofing; and any other pertinent information. If the garage exceeds 1000 square feet or an addition to an existing garage results in a garage over 1000 square feet, Minnesota law requires that the plans and design of the garage be prepared by a licensed design professional. Please allow 5-10 business days for approval and issuance of the permit.

FOUNDATIONS

Detached garages that do not exceed 1000 square feet may be constructed on a thickened-edge slab. Detached garages over 1000 square feet and attached garages must be constructed on a foundation extending at least 42 inches below finished grade.

WALL CONSTRUCTION

Walls may be framed with minimum No. 3 grade studs spaced 16 or 24 inches on center. Utility grade studs may be used when supporting only a roof, spaced not more than 16 inches on center, and limited to 8 feet in height. All other studs shall be limited to ten feet in height. If a single top plate is used, rafters or trusses must be centered over studs. For walls over ten feet in height, see the Minnesota Residential Code.

WALL BRACING

All walls are required to be braced at each end of each wall by one of the following methods:

- Nominal 1X4 continuous diagonal braces let in to top and bottom plates and the intervening studs or approved metal straps installed in accordance with the manufacturers specifications. Braces must be installed at an angle not to exceed 60 degrees or less than 45 degrees.

- 4X8 wood structural panel sheathing not less than 5/16 inch for 16-inch stud spacing and not less than 3/8 inch for 24-inch stud spacing. Sheathing must be attached with a minimum of 6d nails at 12 inches on center.
- 4X8 structural fiberboard sheathing not less than ½ inch thick applied vertically on studs spaced 16 inches on center. Sheathing must be attached with 1½ inch galvanized roofing nails, 6d common nails, or 16 ga 1½ inch staples spaced 3 inches on center around the perimeter and 6 inches on center on intermediate studs.

When garages are fully sheathed with wood structural panel sheathing, wall segments on either side of garage openings that support light frame roofs only with roof covering dead loads of 3 psf or less shall be permitted to have a 4:1 aspect ratio. For narrower wall segments, see the last page of this handout.

ROOF TRUSSES

Wood trusses may be used as long as they are designed to meet state snow load requirements. Truss design drawings must be provided.

GARAGE DOORS

Garage doors must meet minimum wind resistance standards and must come with a *label* indicating the door complies with ANSI/DASMA 108.

GARAGE DOOR OPENERS

State law requires that all automatic garage door openers sold and installed be equipped with an automatic reversing device. This means that the door must have a means to reverse the closing function if something is detected in the path of the door.

SMOKE ALARMS, CARBON MONOXIDE DETECTORS, FIRE WALLS

Smoke alarms are required to be installed in the dwelling when an attached garage is constructed or an existing attached garage is expanded. Carbon monoxide detectors must be installed in a dwelling when any work requiring a permit occurs. A fire wall must be created between a dwelling and a garage if an attached garage is constructed or, in some cases, when an existing attached garage is expanded. Contact the Building Department for specifics.

ZONING REQUIREMENTS

The combined total square footage of attached garages, detached garages, and accessory buildings cannot exceed allowable limit based on lot area.

The areas of accessory buildings on a lot shall be limited to the areas in the following table:

(1) Lot area (sq. ft.)	(2) Detached bldgs w/o an attached garage	(3) Attached garages without bldgs.	(4) Combination of detached and *attached garage buildings
Under 8,000	786	768	1,188
8,000-11,999	1,000	1,000	1,420
12,000-15,999	1,000	1,000	1,480
16,000-20,999	1,100	1,100	1,660
21,000-41,999	1,250	1,250	1,850
42,000 +	1,250 (garage) 1,000 (all other bldgs.)	1,250	2,500

No garage or accessory building shall exceed 1,250 square feet in area or a height of 16 feet as measured from grade.

The city council may approve an increase in height or area by conditional use permit.

Detached garages shall not include living space. No commercial use of a garage shall occur unless authorized by the city council. (Code 1982, § 36-77; Ord. No. 870, § 1, 5-22-2006)

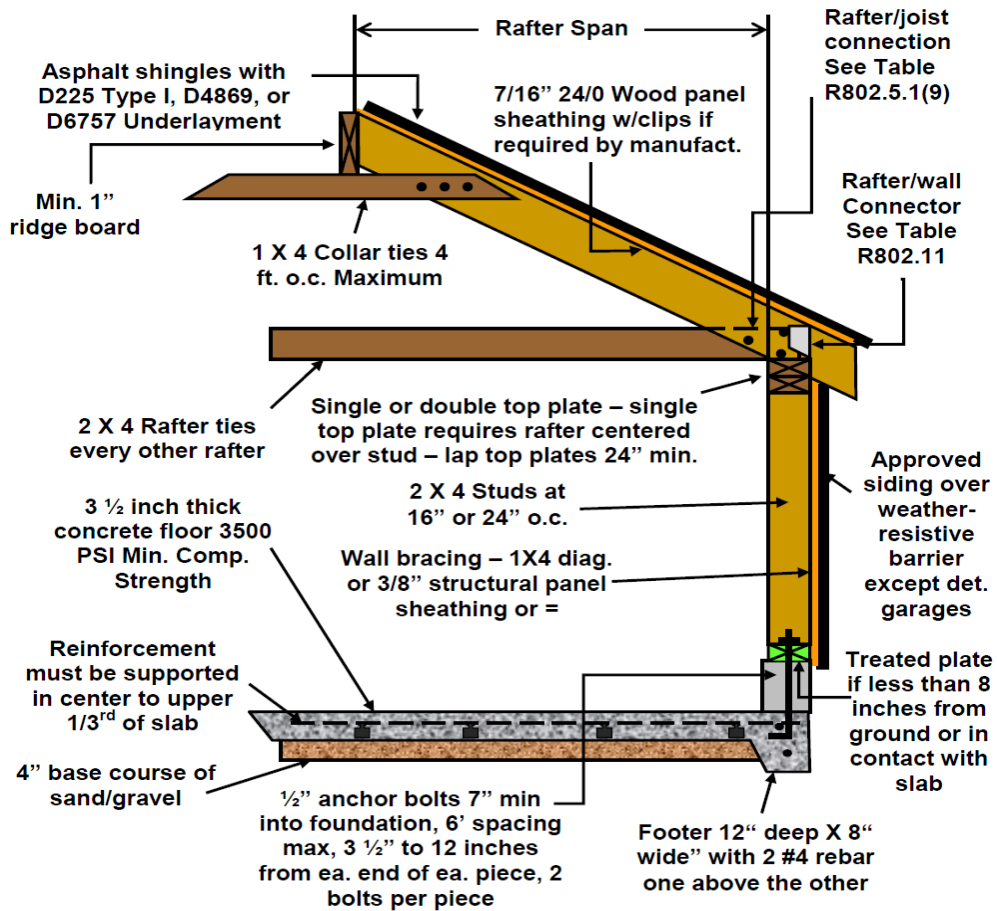
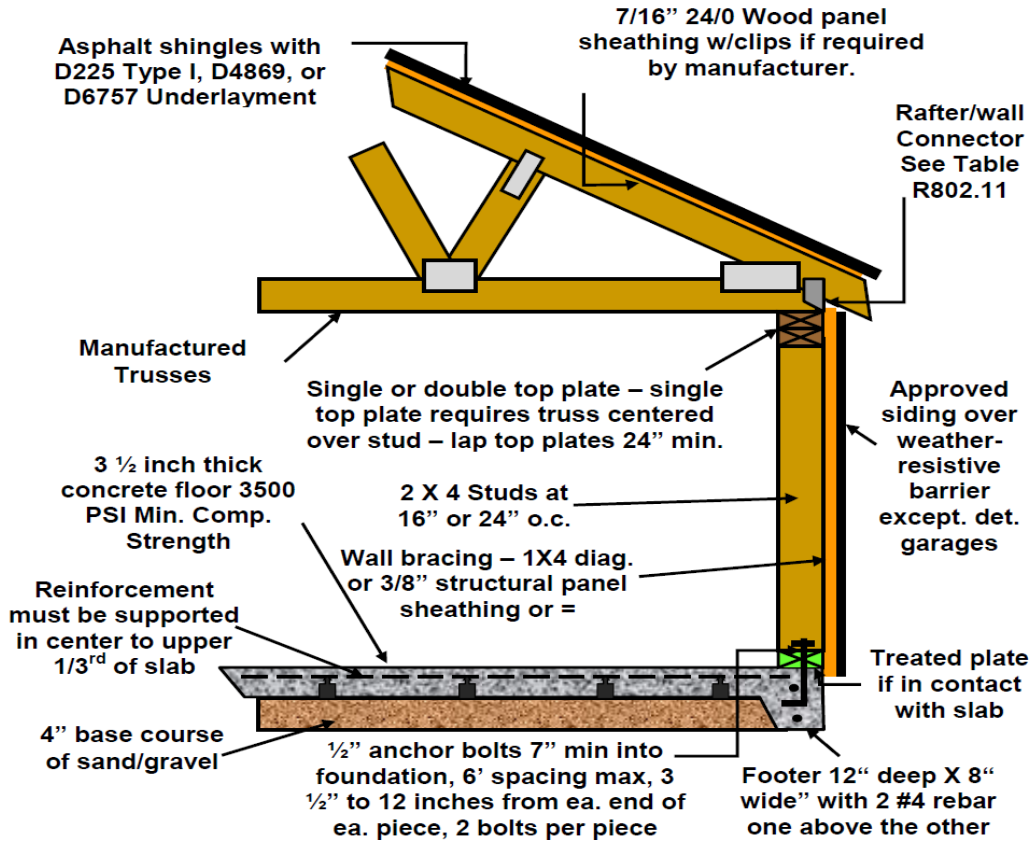
INSPECTIONS

It is the responsibility of the permit applicant to call the Building Department to arrange for the inspections. 24-hour advance notice is required. Inspections typically required for the construction of a garage include, but are not limited to:

- Footing and foundation inspections after form work is in place but prior to pouring concrete.
- Framing Inspection – To be made after all framing and bracing is complete, rough electrical (if any) is approved, but prior to the application of siding.
- Final Inspection – To be made upon completion of the garage and grading is complete.

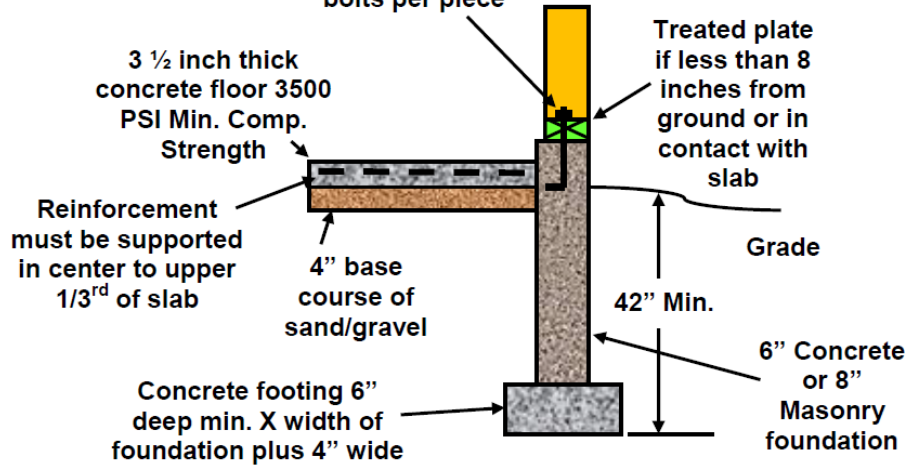
HEADER SIZES SUPPORTING SPANS OF 20, 24, AND 28 FT						
	20 Ft		24 Ft		28 Ft	
Span	Header Size	# Jack Studs	Header Size	# Jack Studs	Header Size	# Jack Studs
Up to 3 ft	2-2X4	1	2-2X4	1	2-2X6	1
Up to 4 ft	2-2X6	1	2-2X6	1	2-2X6	1
Up to 6 ft	2-2X8	2	2-2X10	2	2-2X10	2
Up to 7 ft	2-2X10	2	2-2X12	2	2-2X12	2
Up to 8 ft	2-2X12	2	3-2X10	2	3-2X10	2
Up to 9 ft	3-2X10	2	3-2X12	2	3-2X12	2
Up to 10 ft	3-2X12	2	4-2X12	2	4-2X12	2
Up to 12 ft	4-2X12	2	*EWPR		*EWPR	
Over 12 ft	*EWPR		*EWPR		*EWPR	
*Engineered wood product required						

RAFTER SPANS FOR #2 HEM FIR AND SPF					
		2 x 4	2 x 6	2 x 8	2 x 10
12"	Hem Fir	7'5"	11'1"	14'0"	17'2"
	o.c. SPF	7'8"	11'3"	14'3"	17'5"
16"	Hem Fir	6'7"	9'7"	12'2"	14'10"
	o.c. SPF	6'8"	9'9"	12'4"	15'1"
24"	Hem Fir	5'4"	7'10"	9'11"	12'1"
	o.c. SPF	5'5"	7'11"	10'1"	12'4"

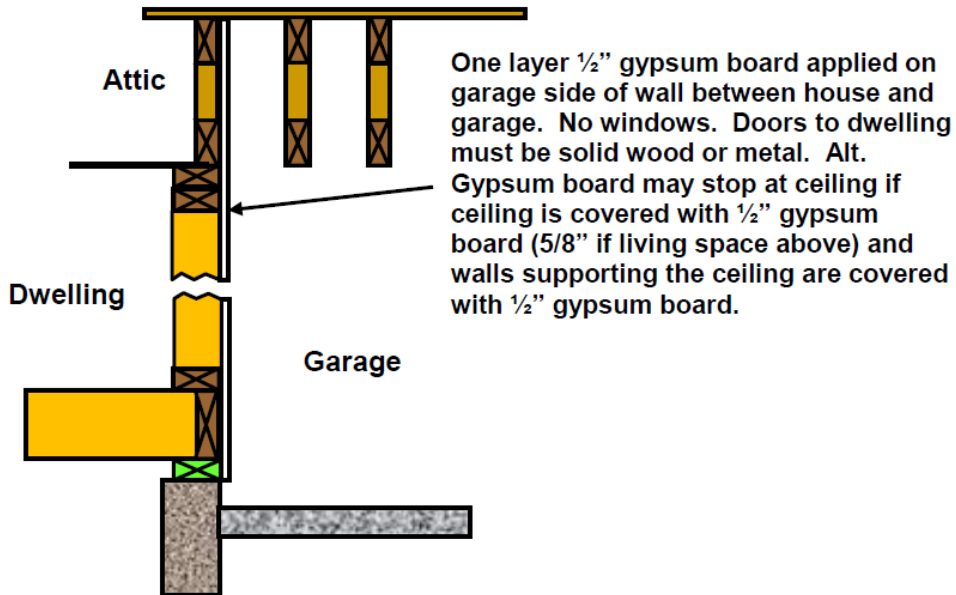


FOUNDATION DETAIL FOR ATTACHED GARAGE

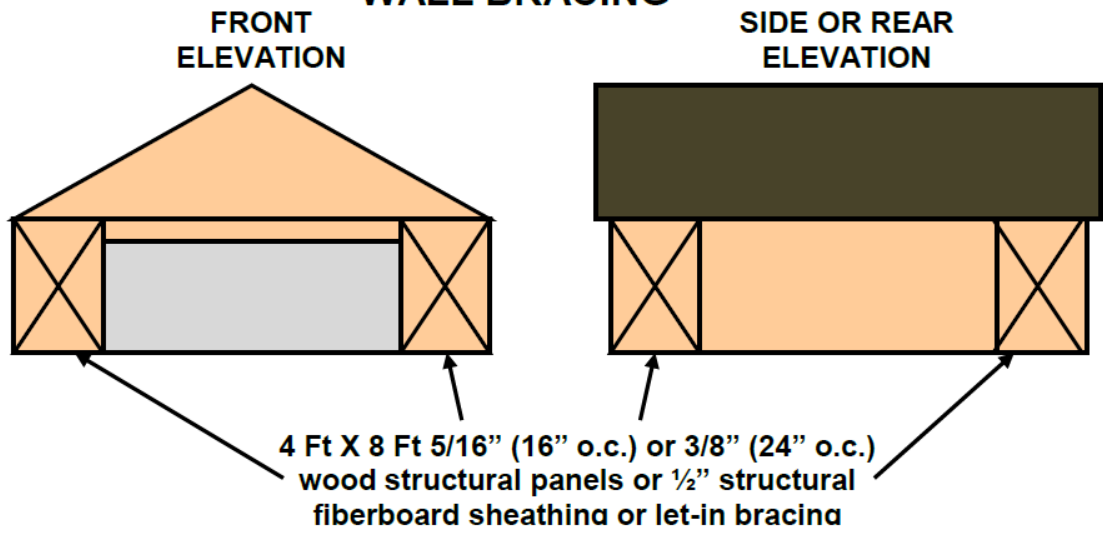
1/2" anchor bolts 7" min into foundation, 6" spacing max, 3 1/2" to 12 inches from ea. end of ea. piece, 2 bolts per piece



SEPARATION WALL DETAIL FOR ATTACHED GARAGE



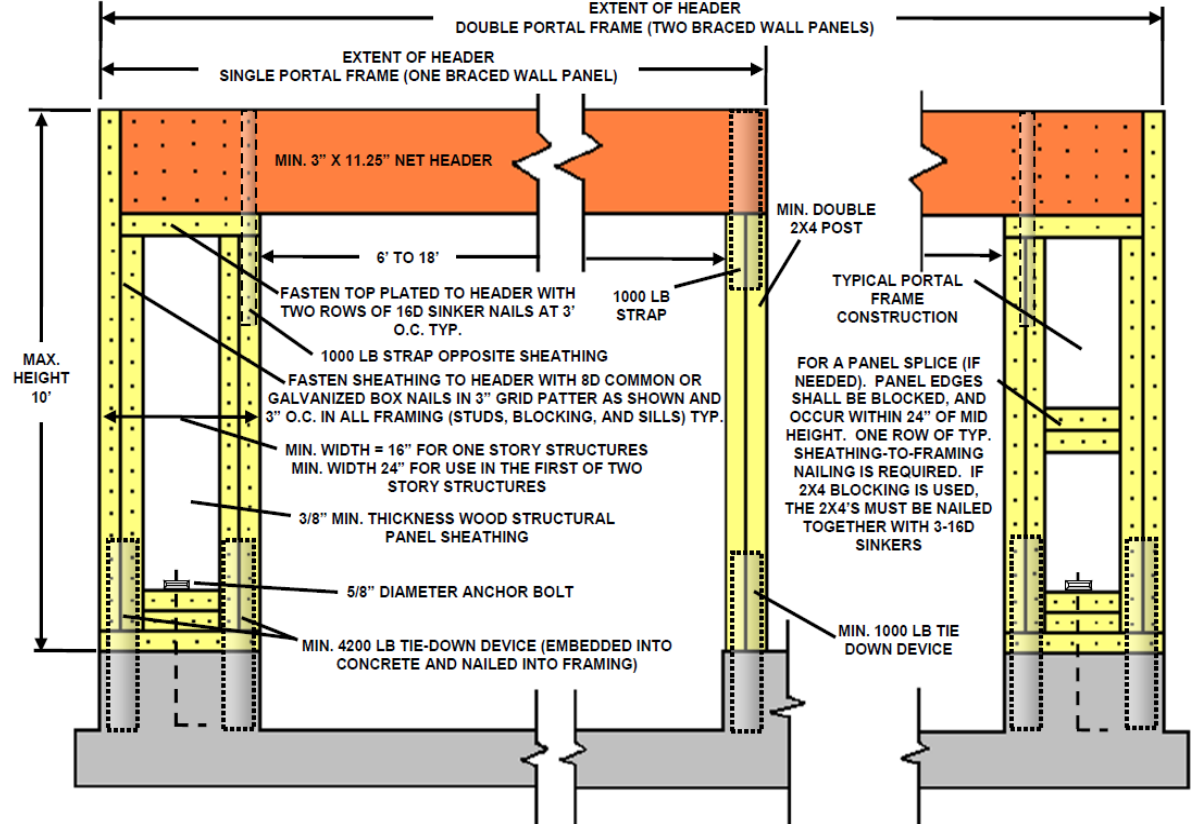
WALL BRACING



Alternate braced wall panel adjacent to a door or window

If the design does not allow 4' at wall ends refer to wall bracing for narrow walls. An alternate braced wall panel constructed in accordance with the illustration for narrow walls is permitted to replace each 4 feet of braced wall panel.

WALL BRACING FOR NARROW WALLS



ALTERNATE BRACED WALL PANEL ADJACENT TO A DOOR OR WINDOW OPENING